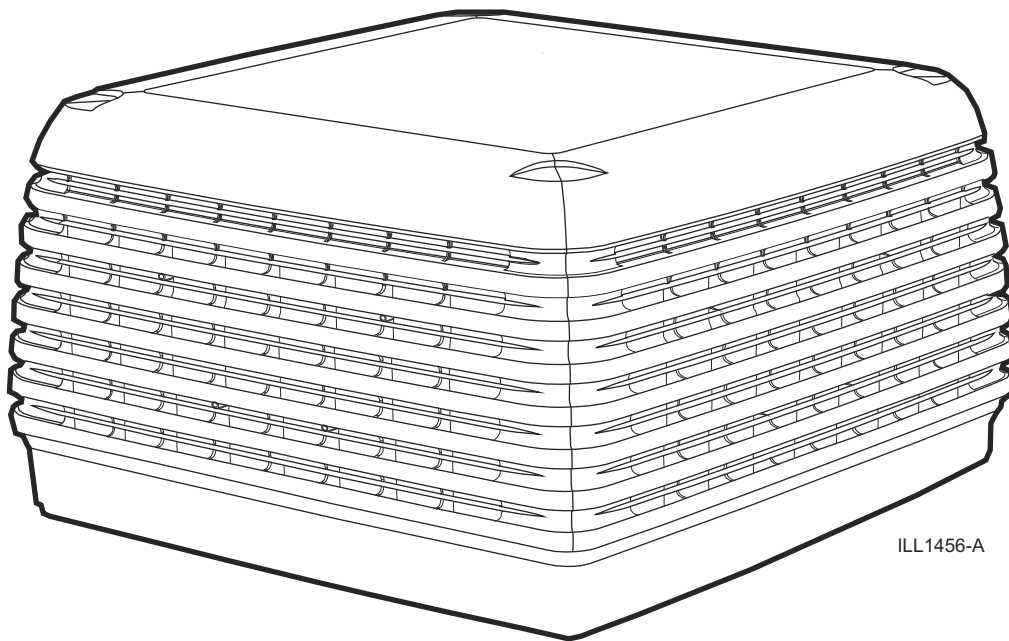




INSTALLATION MANUAL

CPL CPS LCB BM Evaporative Cooler



ILL1456-A

(English) (CPL CPS LCB BM)




(Original English Instructions)



WARNING: Failure to install and commission the product in compliance with these instructions, or failure to do the job properly and competently, may void the customer's warranty. Further, it could expose the Installer and/or the Retailer to serious liability.

Step 1

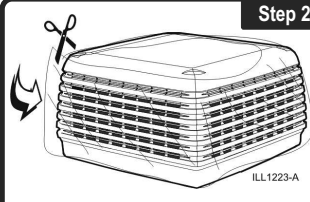


SAFETY FIRST!

1. Read & understand the safety section.

Page 3

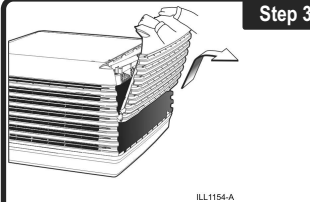
Step 2



1. Unwrap the Cooler.

Page 4

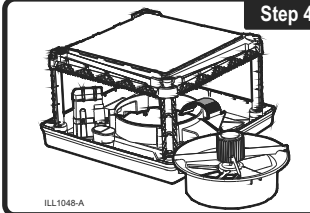
Step 3



1. Remove pads.

Page 4


Step 4



1. Remove the venturi.
2. Remove the transition.

Page 4

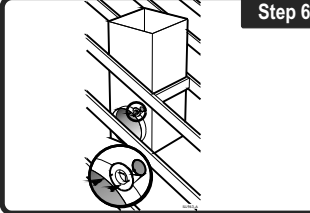
Step 5



1. Check cooler location.
2. Be aware of local regulations.
3. Discuss with customer.

Page 5

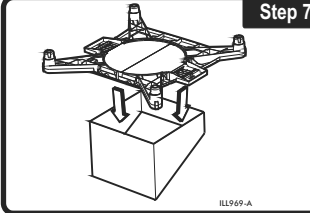
Step 6



1. Cut cable hole in dropper.
2. Position, level and secure the dropper.
3. Flash the dropper.

Page 5

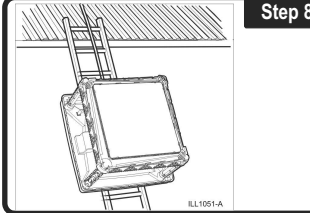
Step 7



1. Fit the transition to the dropper and secure.
2. Break weatherdamper transport clips and fit weatherdamper.

Page 6


Step 8



1. Transport the cooler to the roof.
2. Always handle the cooler using 2 people.

Page 7

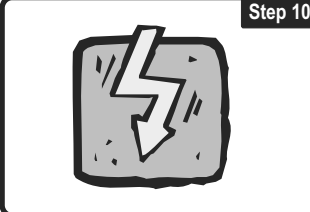
Step 9



1. Run the power and wall control cables down the dropper.

Page 8


Step 10



1. Read and adhere to the local electrical and plumbing rules and regulations.

Page 9

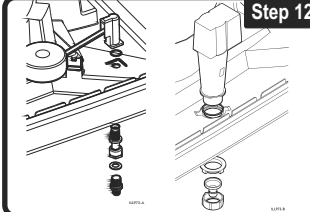
Step 11



1. Locate and install the wall control.

Page 10

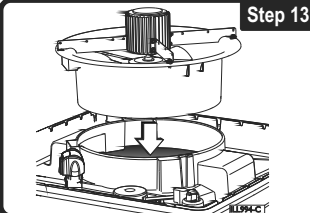
Step 12



1. Fit the float valve.
2. Fit the drain valve or bleed tray.
3. Connect water supply to the cooler.

Page 11-13

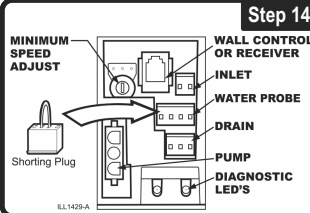
Step 13



1. Install the venturi.

Page 13

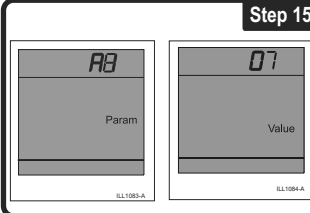
Step 14



1. Connect the components to the electronics module.

Page 14

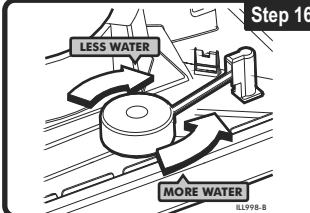
Step 15



1. If there is a drain valve fitted to the cooler, set the drain rate at the wall control if necessary.

Page 15


Step 16



1. Set the water level.

Page 15


Step 17



1. Test run the cooler.

Page 17


Step 18



1. Clean up the site.

Page 17

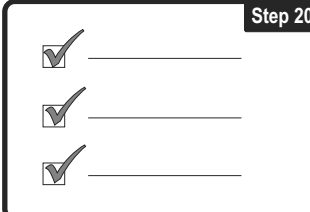
Step 19



1. Show the customer how to operate their new cooler.
2. Give the customer their owners manual.

Page 17

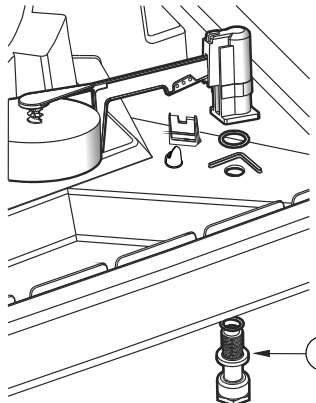
Step 20



1. Complete the checklist.

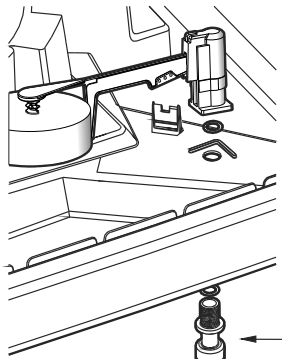
Page 20

**Water Inlet Configuration
CPL, CPS, LCB, BM - Bleed Funnel**



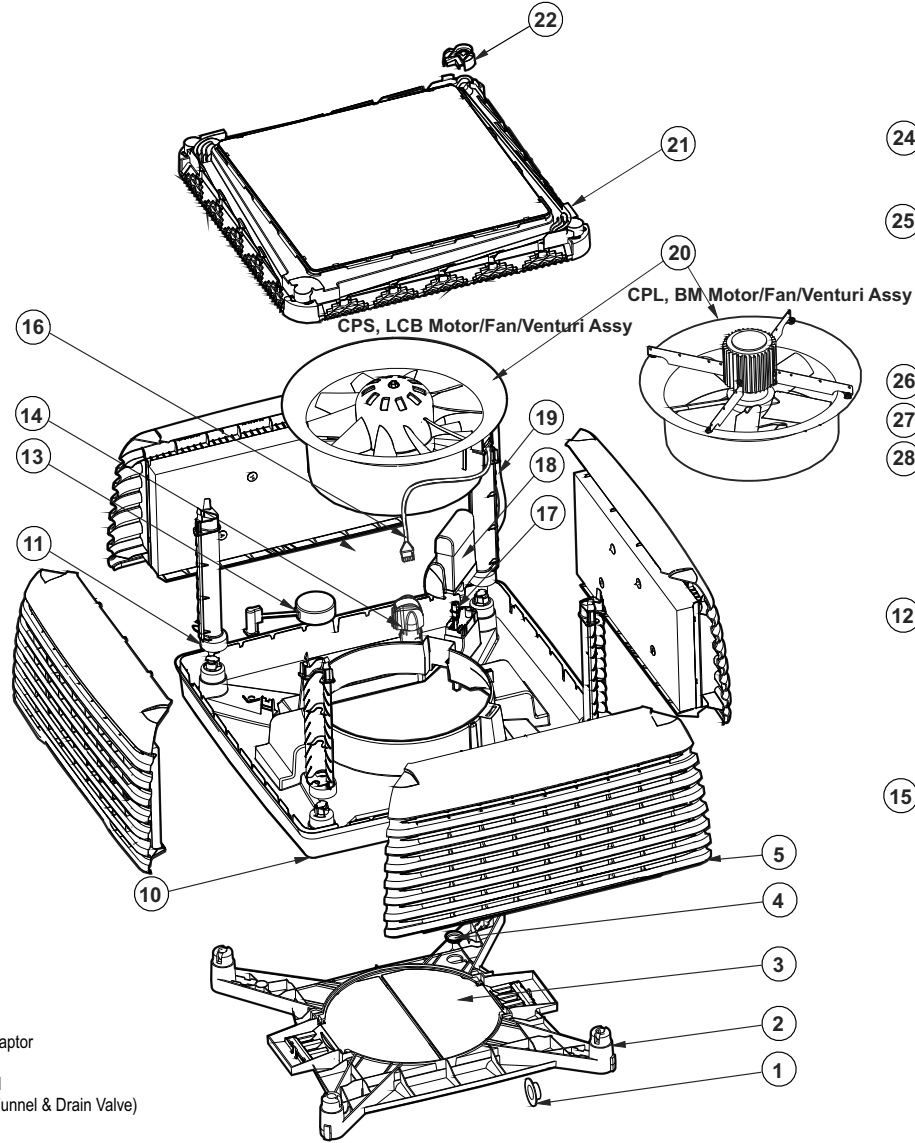
ILL972-C

**Water Inlet Configuration
CPL, CPS, LCB, BM - Drain Valve**



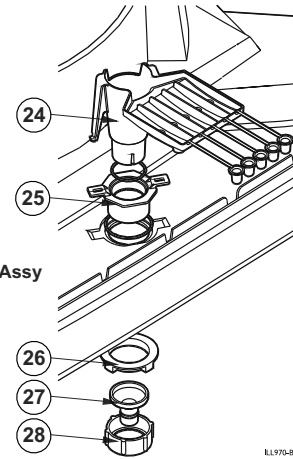
ILL985-D

1. Dropper Grommet
2. Transition
3. Weatherseal
4. Transition Plug
5. Pad Frame
6. Flexible Hose
7. Solenoid Cover
8. Solenoid Valve
9. Extension Tube
10. Tank
11. Corner Pillar
12. Water Sensor
13. Float Valve
14. Water Pump
15. Drain Valve
16. Motor Power Lead
17. Power Cord Assy
18. Electronics Module
19. Pump Hose
20. Venturi / Fan Assy
21. Lid
22. Distributor Cap
23. 3/4" to 1/2" BSP Adaptor
24. Bleed Funnel
25. Bush, Bleed Funnel
26. Nut 40mm (Bleed Funnel & Drain Valve)
27. Drain Adaptor
28. Nut, Drain Adaptor



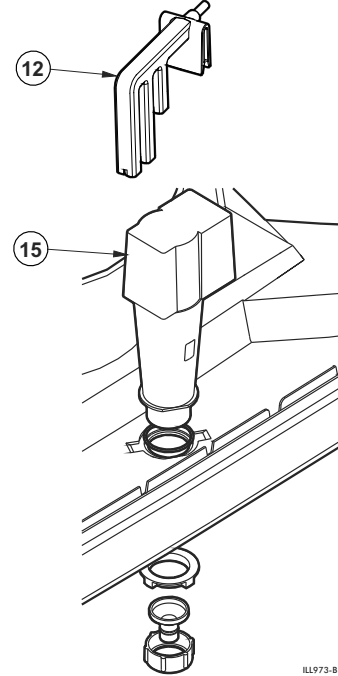
ILL 1151-D

**Water Outlet Configuration
CPL, CPS, LCB, BM - Bleed Funnel**



ILL970-B

**Water Outlet Configuration
CPL, CPS, LCB, BM - Drain Valve**



ILL973-B

EXPLODED VIEW

When ordering spare parts, please specify the model/serial number and colour of your cooler.

SAFETY

EMPLOYER AND EMPLOYEE RESPONSIBILITIES

The installation and maintenance of evaporative air conditioning units at height has the potential to create Occupational Health and Safety issues for those involved. Installers are advised to ensure they are familiar with the relevant State and Federal legislation, such as Acts, Regulations, approved Codes of Practice and Australian Standards, which offer practical guidance on these health and safety issues. Compliance with these regulations will require appropriate work practices, equipment, training and qualifications of workers. Seeley International provides the following information as a guide to contractors and employees to assist in minimising risk whilst working at height.

Installer and Maintenance Contractors

A risk assessment is an essential element that should be conducted before the commencement of work, to identify and eliminate the risk of falls or to minimise these risks by implementing control measures.

Risk Assessment

A risk assessment of all hazardous tasks is required under legislation.

There is no need for this to be a complicated process, it just is a matter of looking at the job to be done and considering what action(s) are necessary so the person doing the job does not injure themselves.

This should be considered in terms of:

- What are the chances of an incident happening?
- What could the possible consequence be?
- What can you do to reduce, or better still, completely get rid of the risk?

Some points to consider:

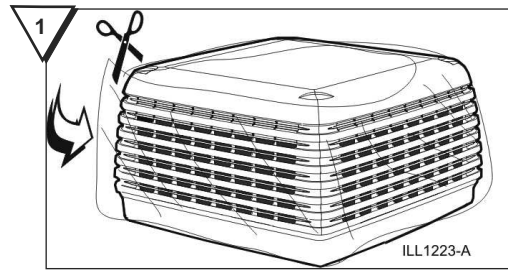
- What is the best and safest access to the roof and working areas?
- If a worker is alone, who knows they are there and if they get into difficulty, how can they summon help? (Call someone on the ground? Mobile phone? etc.)
- What condition is the roof in? Should the trusses, underside or surface be checked?
- Does the worker have appropriate foot wear? (Flat sole jogger type is advisable)
- Are all power cables / extension leads safe and appropriately rated?
- Are all ladders, tools and equipment suitable in good condition?
- Where ladders are to be used, is there a firm, stable base for them to stand on? Can they be tied or secured in some way at the top? Is the top of the ladder clear of electricity supply cables?
- Is there a roof anchor to attach a harness and lanyard to? If so, instruction should be issued for the use of an approved harness or only suitably trained people used.
- Are all tools and materials being used, prevented from slipping and falling onto a person at ground level? Is the area below the work area suitably protected to prevent persons walking in this area?
- Does the work schedule take into account weather conditions, allowing for work to be suspended in high winds, thunder storms/lightning or other types of weather giving wet, slippery surfaces?
- Is there an on-going safety check system of harnesses, ropes, ladders and access/lifting equipment and where they exist on roofs, anchor points before the commencement of work?
- Is there a system which prevents employees from working on roofs if they are unwell or under the influence of drugs or alcohol?
- Are there any special conditions to consider i.e. excessive roof pitch, limited ground area, fragile roof, electrical power lines?

OTHER IMPORTANT REQUIREMENTS

- Never force parts to fit because all parts are designed to fit together easily without undue force.
- Never drill any holes in the primary base surface or side walls of the bottom tank (reservoir) of the cooler.
- Check the proposed cooler location, to ensure that it is structurally capable of supporting the weight of the cooler, or provide an adequate alternate load bearing structure.

UNWRAP THE COOLER

Cut and remove the shrink wrap from the cooler and dispose of the wrap thoughtfully.



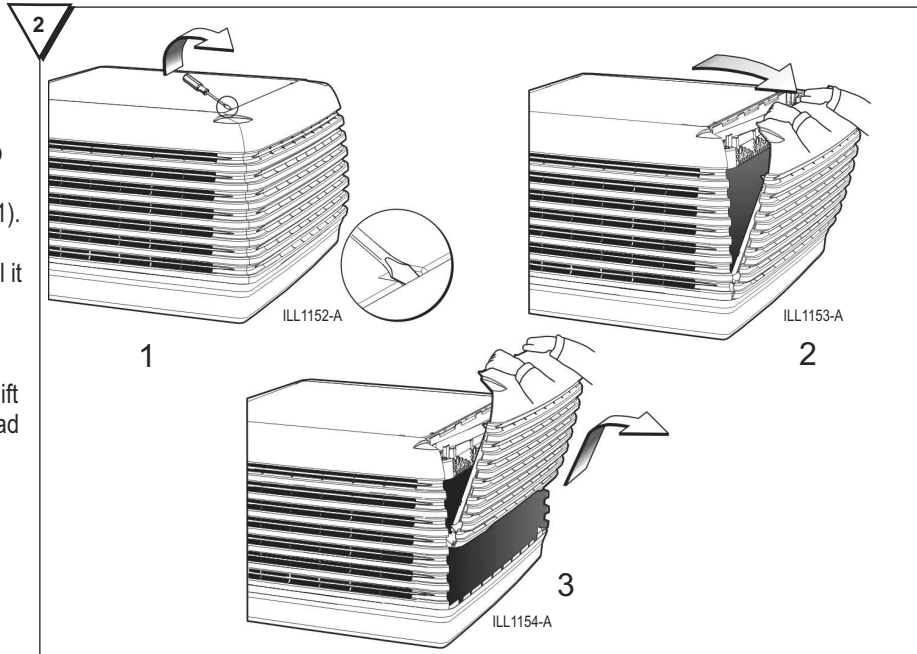
REMOVING THE PAD FRAMES

To remove a pad frame, first disengage the top clips of the pad frame. Insert a screw driver tip into the slot between the lid and the top of the pad frame and lever until disengagement occurs (Fig 2 part 1).

Take hold of the pad frame and pull it towards you until the internal side clips disengage (Fig 2 part 2).

Pivot the pad frame outwards and lift up. Take care not to damage the pad (Fig 2 part 3).

Repeat the steps above with the three remaining pad frames.



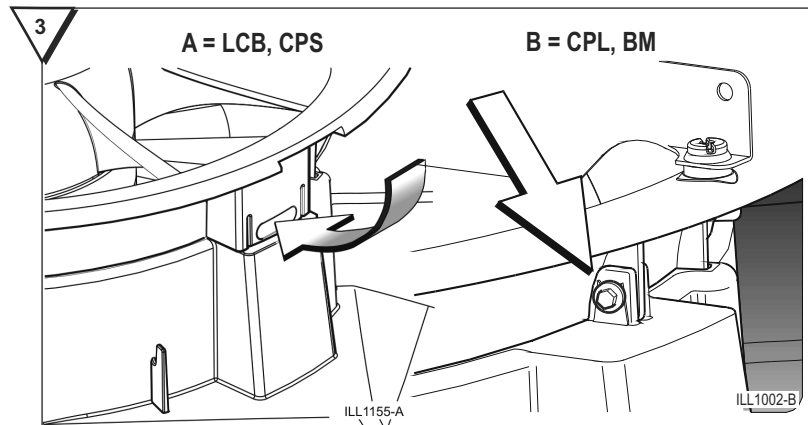
REMOVING THE VENTURI

Once the pad frames have been removed, detach the venturi and fan assembly.

- For LCB & CPS models, disengage the two venturi clips as shown (Fig 3A).
- For CPL & BM models, undo the two screws that retain the venturi during transport (Fig 3B) and dispose of the screws thoughtfully, as they are no longer required.

Lift the venturi and fan assembly out of the cooler. Take care with the motor lead, which will be sitting loosely in the bottom of the cooler.

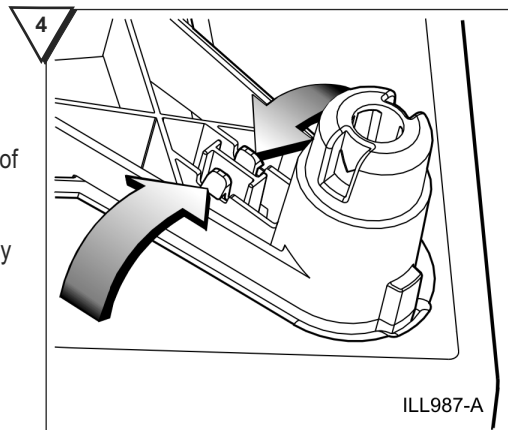
The venturi and fan assembly can be placed on to the ground until the rest of the cooler has been installed on the dropper.



REMOVING THE TRANSITION

Turn the cooler onto its side to remove the transition. There are clips in each of the four corners that will disengage once the transition is given a firm pull (Fig 4).

If any of the corners are difficult to remove do not use excessive force. Gently squeeze the clips together and remove the transition one corner at a time.



COOLER LOCATION

Check the proposed cooler location, to ensure that it is structurally capable of supporting the weight of the cooler, or provide an adequate alternate load bearing structure.

Always locate the cooler where it will receive a plentiful supply of fresh air. Not in a recess where it may be starved for air or where the air is polluted.

Ensure the location is a minimum of: 3m from a solid fuel heater flue, 1.5m from a gas flue, 5m from a sewer vent.

Allow adequate access around the cooler for maintenance. Provision must be made for access to electricity, water supplies and drains.

Note! Do you need to discuss the installation of items like safety anchor points or access with the customer?

The ideal location for the cooler is in a central position on the roof (away from sleeping areas and where people spend most of their time) so that the duct runs are of approximately the same length.

Carefully consider neighbouring residences and noise levels when locating the cooler, if necessary talk to the customer and the neighbours before carrying out the installation.

MOUNTING THE DROPPER

Cut the 50mm diameter cable exit hole in the dropper then fit and screw the cable grommet into position (Fig 6). Locate the hole so that the cables will not interfere with the fully opened weatherdamper.

Fit the transition temporarily to the dropper (Fig 9 page 6), then locate the dropper into position. Use a spirit level to ensure the top of the transition is level.

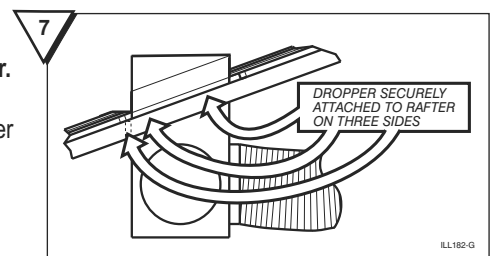
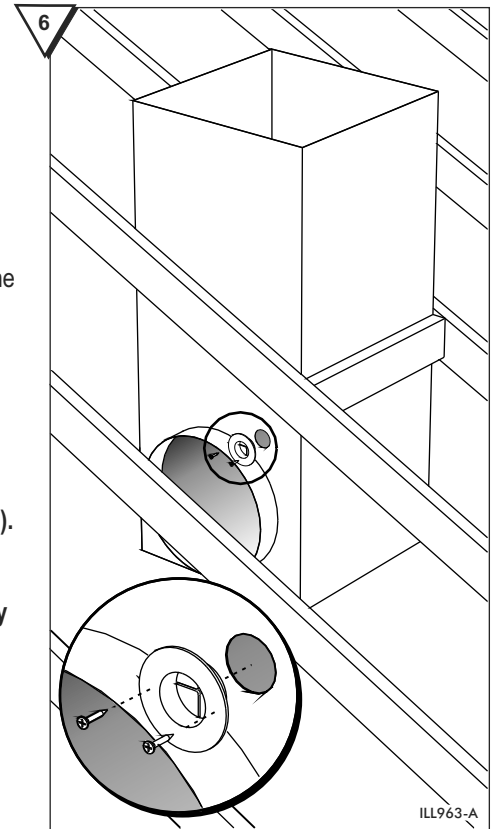
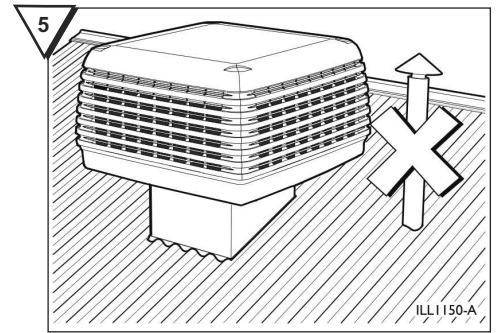
Important!

The dropper must be securely fixed to the roof structure on at least 3 sides (Fig 7). This may require the addition of some extra structural timber.

The dropper must never sit directly onto any ceiling joists or beams, as there may be associated noise transfer, causing problems after installation, including possible ceiling damage.

The 550mm x 550mm dropper duct must have a raw edge or safe edge at the top. Do not turn in a flange as this will interfere with the transition and weatherdamper.

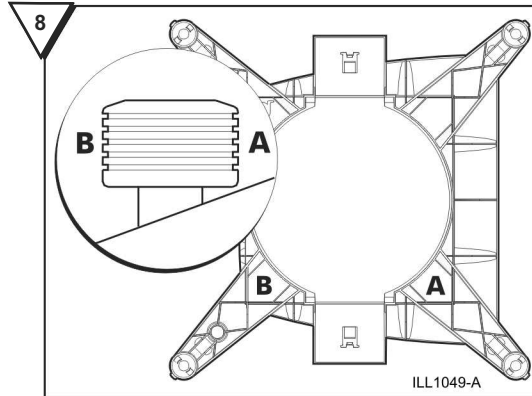
Remove the transition and flash the dropper carefully, so there is no chance of any water entering the roof space.



INSTALLING THE TRANSITION AND WEATHERDAMPER

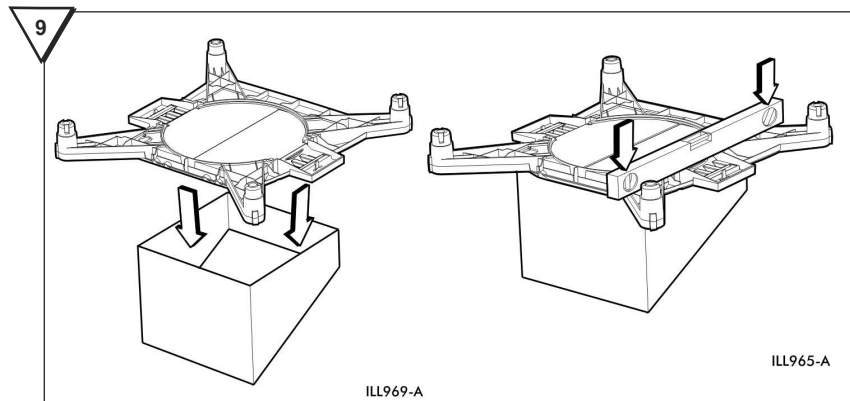
Refit the transition onto the dropper as shown. Ensure that it is oriented correctly, as shown by the engraved detail on the transition (Fig 8).

Check the level of the transition on the dropper with a spirit level, placed across the flats in both directions.



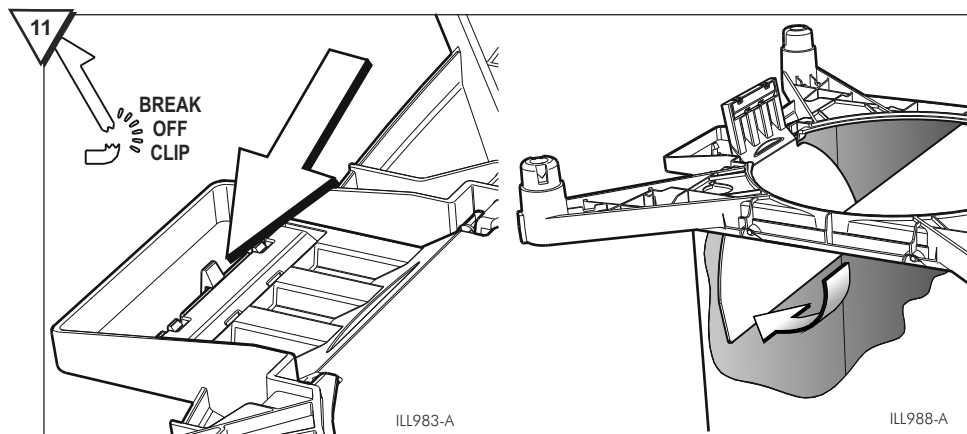
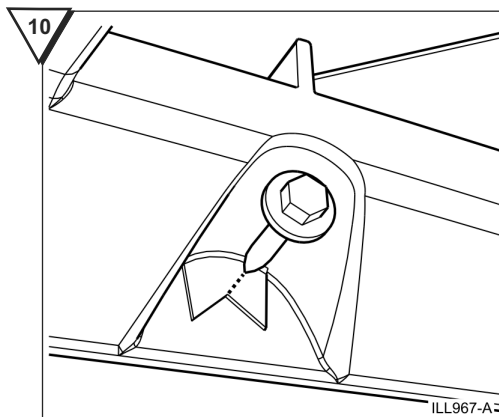
Once level, begin securing the transition to the dropper using the screws provided. There are eight (8) 'V' notch locations for screws.

Only use the screws provided. These must be used in the correct positions (Fig 10) to prevent interference with the weatherdamper. All eight (8) screws must be used. Check the level periodically before driving in all the screws.



IMPORTANT: There must be no obstructions to the weatherdamper opening fully as it will adversely affect the performance of the cooler.

Break off both clips on the transition that retain the weatherdamper (Fig 11). Ensure that the weatherdamper flaps open all the way and do not interfere with the dropper or any screws. The flaps should move freely through 90°.



TRANSPORTING THE COOLER TO THE ROOF

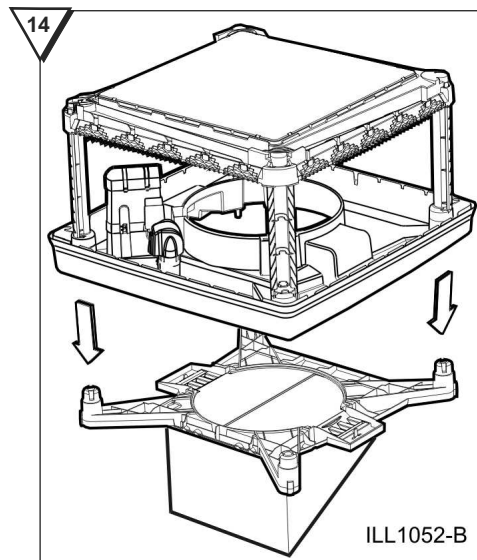
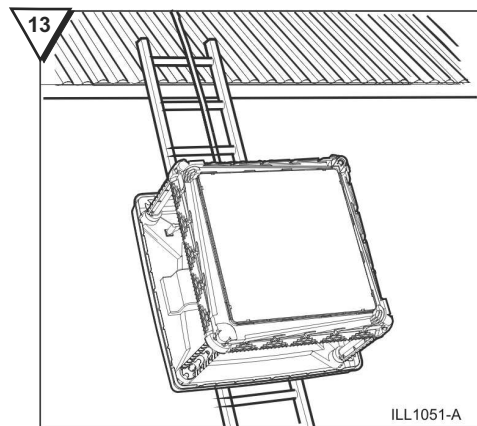
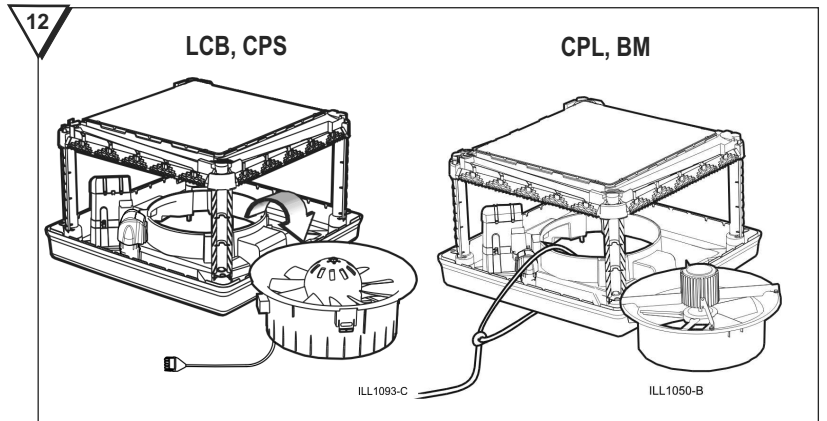
Do not take risks when raising the cooler to the roof for installation. Use safety equipment, appropriate procedures and always have assistance. It is recommended that at least two (2) people move the cooler into position and that the transition, pad frames, venturi assembly and any unsecured objects are removed beforehand. Attach ropes or slings through the central tank hole (Fig 12). Always handle the cooler with care.

If you intend to pull the cooler onto the roof using a ladder as a slide, then guide the cooler on the underside of the tank (Fig 13).

Once the cooler is on the roof, carefully lift the assembly onto the transition and into place. The assembly will only fit onto the transition in one orientation.

Ensure that the clips in all four corners engage correctly. Do not use any screws to fix the cooler to the transition (Fig 14).

IMPORTANT: Do not place the venturi assembly into the cooler at this stage.



CABLE INSTALLATION

After fitting the cooler to the dropper, disconnect the electronics module from the tank by removing the screw under the switch as shown (Fig 15). The isolation switch cannot be activated with this screw removed. Place the electronics module and the screw to one side in the tank.

NOTE! Leave the electronics module safely in the tank, as the motor plug will require connection to the underside of the module when the venturi is refitted into the Cooler.

Your installation kit includes the power cord and thermostat cable. Drop the power cord plug end along with the taped end of the thermostat cable into the dropper duct. Route the power cord socket end with the thermostat cable upwards through the corner hole in the transition and out the tank cavity as shown. Lock the power cord socket in place by sliding the plug in sideways as shown.

The plug will only insert one way, with the chamfered end first (Fig 16). For now, leave the thermostat cable end in the tank as it will be connected later.

WARNING: Do not let cables, cable ends, or the control box get wet. Position the cords in the dropper so they will be accessible from inside the roof space.

Pass the cords through the grommet in the dropper.

Do not coil the excess length of the power cord. Place excess length of the thermostat cable in the roof cavity and not inside the cooler or dropper.

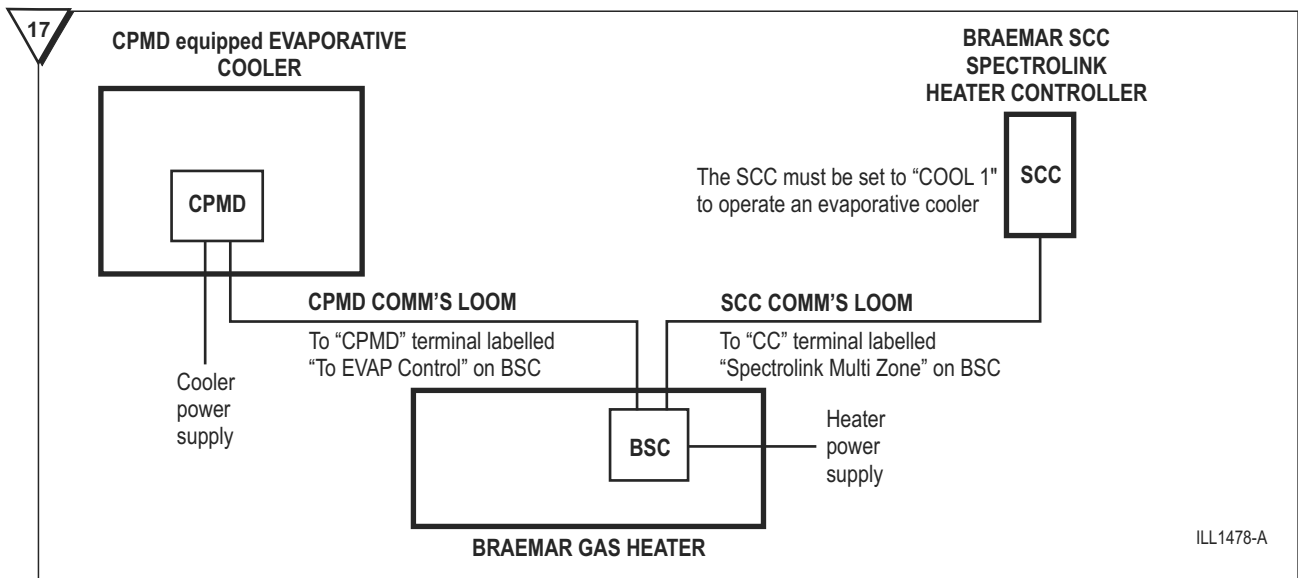
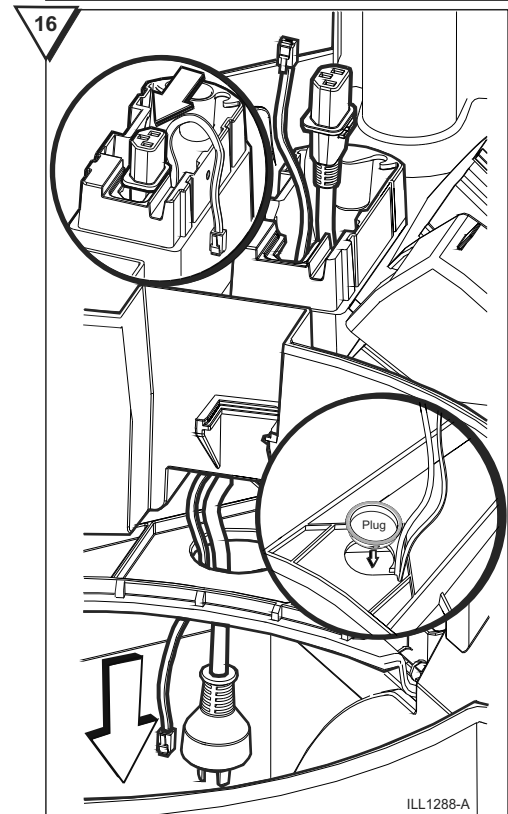
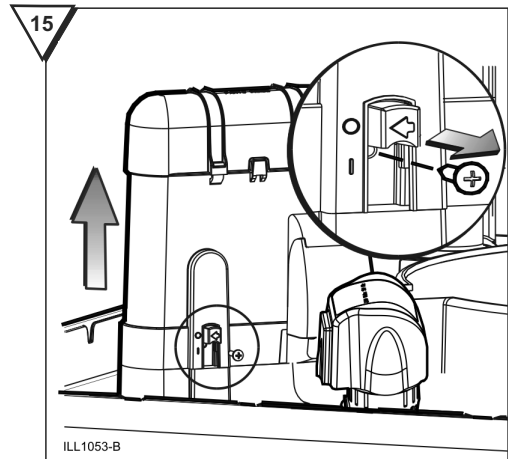
Push the cables into the cable slot in the transition as shown (thermostat cable first) and then seal the hole with the plug provided.

IMPORTANT

Test the weatherdamper operation and ensure that the cables in the dropper do not interfere with the operation of the weatherdamper.

CONNECTING THE COOLER TO A BRAEMAR SPECTROLINK GAS HEATER CONTROLLER

This cooler can be inter-connected to a Braemar Gas Heater and operated from the Braemar SCC Spectrolink Heater controller. Any Seeley International evaporative cooler equipped with a CPMD Electronic Module can be operated this way. The following diagram (Fig 17) shows the connections required:



ELECTRICAL REQUIREMENTS

Installation of the cooler must conform to National, State and Local electrical rules, regulations and standards.

It is a requirement of Seeley International that all coolers be wired with a dedicated circuit to the distribution board adhering to local and national wiring standards .

A 10A socket outlet within one metre of the dropper's cable exit hole is also required.

Specification : 240V / 50Hz Single Phase

The electronics module is fitted with a 12A resettable circuit breaker. To reset the circuit breaker turn off the isolation switch, remove the electronics module and push the manual reset toggle switch located underneath the electronics module.

WATER REQUIREMENTS

Installation of the Cooler water supply must conform to local plumbing rules, regulations and standards: AS/NZS 3500.1

The following specifications for water supply are required:

Water Connections : ½" BSP
Water Supply : 800 kPa (115 psi) MAXIMUM
Water Supply Temperature : 40°C MAXIMUM

Important! If the water pressure exceeds this maximum specification then a pressure reducing valve is required and must be supplied and fitted by the installer.

A permanent water supply is required to be connected to the float valve. The water connection point is located on the underside of the cooler.

Install a manual ball valve type water shut-off in the water supply line adjacent to the cooler, this allows the water supply to be isolated whenever work needs to be done on the cooler, subject to local plumbing regulations. It is not recommended to use a non-return type shut off valve.

In areas subject to freezing or where freezing may occur, drain down or frost protection must be fitted.

IMPORTANT! Flush the water pipe to remove any swarf before final fitting.

For coolers having the drain valve fitted: The water connection is a 1/2" BSP compression fitting on the end of a flexible hose. This can fit directly onto the water pipe or be screwed directly onto the manual water shut-off valve.

Always ensure that the water pipe connection does not place sideways strain onto the float valve.

For coolers having the bleed tray fitted: The water connection fitting is a 1/2" BSP male adaptor suitable for a compression fitting. Do not fit the manual water shut-off valve directly onto the plastic nipple.

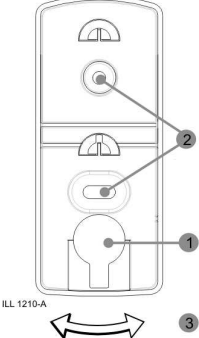
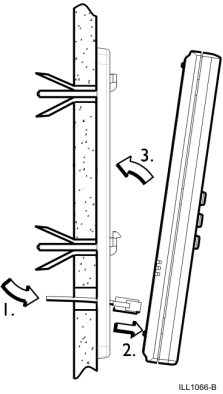
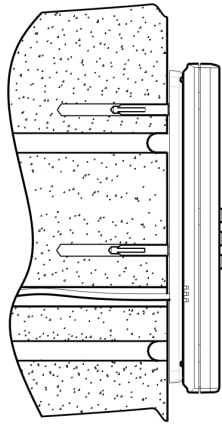
LOCATING THE WALL CONTROL

The wall control should be placed approximately 1.5 metres above the floor, in the most used room in the home. This will give the optimum temperature sensing and operating position for the user.

Placement is critical for correct functioning of the thermostat (incorporated in the wall control). The following points must be taken into consideration:

- Avoid direct sunlight exposure.
- Avoid mounting on external walls.
- Avoid mounting the wall control near heat sources such as stoves and televisions.
- Do not locate in the direct airflow of the duct outlets.
- Do not locate in strong drafts or in dead spots such as cupboards/drawers.
- Always fill in the cable entry hole. Air coming through the wall may interfere with the temperature measurement.

CAUTION! Always make sure there are no electrical cables, gas or water pipes, or the like, behind where you intend to drill.

<p>18 Fixing the wall control bracket to a plasterboard wall</p>  <p>ILL 1210-A</p> <p>Use the bracket as a template.</p> <ol style="list-style-type: none">1. Drill the 16mm hole for the wall control cable.2. Drill the 5mm holes for the wall plugs.3. Insert the wall plugs into the holes. Align and screw the bracket into position using the supplied screws.	<p>19 Fitting the wall control to the mounting bracket</p>  <p>ILL 1066-B</p> <ol style="list-style-type: none">1. Pull the wall control cable through the larger hole and plug it into the wall control.2. Feed the excess cable back into the hole and seal. Slide the wall control over the protruding bracket tabs.3. Pull the wall control down so the bracket tabs engage and locate with the keyway slots on the rear.	<p>20 Fixing the wall control bracket to a brick wall</p>  <p>ILL 1066-B</p> <p>To mount the wall control bracket on a brick wall, follow the previous instructions (Fig 18) using the wall plugs and screws provided. Note that the wall plugs require 6mm holes. Mount the controller following the procedure in Fig 19.</p>
--	--	---

Running the wall control cable to the wall control

Using the loop on the end, draw the cable through the wall cavity to the hole made at the wall bracket. Carefully remove the tape from the cable loops and check that the plug has not been damaged. Connect the cable to the wall control and mount the wall control onto its bracket.

Important! Take care not to damage the cable or plug during this process. Always seal the cable entry hole.

WATER CONNECTION

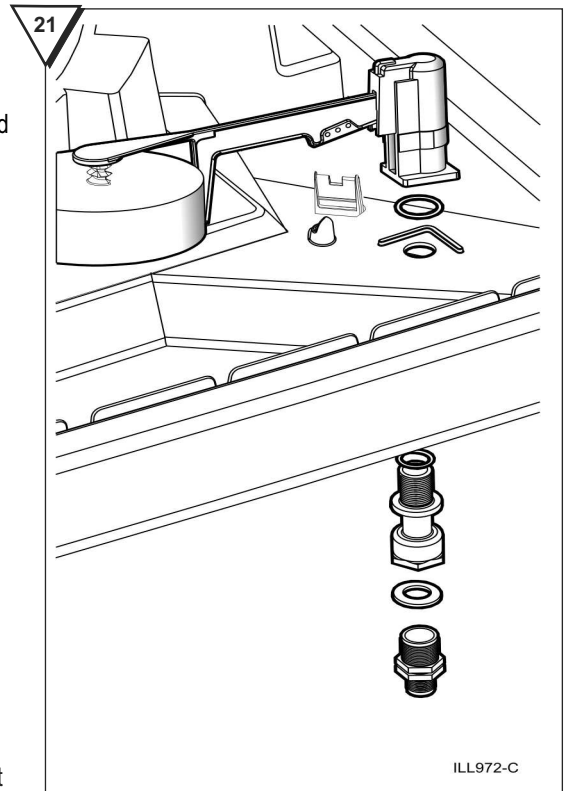
FLOAT VALVE

If you do not intend to install the drain valve, assemble the float valve to the cooler as shown (Fig 21). Ensure all washers and o-rings are in place. No thread tape is required. Do not over tighten.

Make sure the float is centrally positioned and up and down movement is unrestricted.

Connect the water supply to the float valve nipple.

See page 15 for setting the correct water level.



BLEED TRAY

(Standard for CPL, CPS & BM models, optional for LCB models)

The bleed funnel reduces the accumulation of salts and minerals in the cooler. It also acts as an overflow and a drain.

Assemble the bleed funnel as shown (Fig 22).

Make sure the bleed funnel is correctly oriented and that the o-rings are fitted before placing it into the hole. Screw the nut up tightly by hand underneath the cooler.

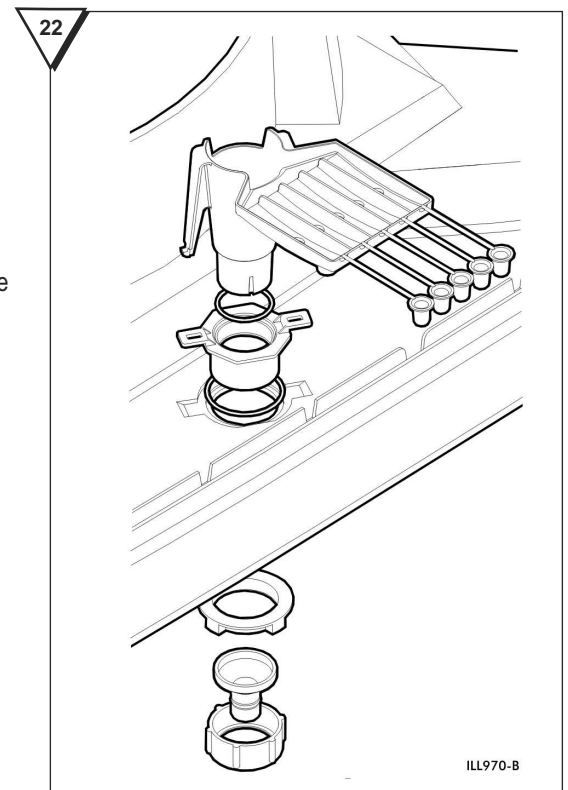
Make sure that you use the correct drain adaptor. Drain-water from the bleed funnel must be carried away to a suitable discharge point on the building or property in accordance with local regulations. Do not drain directly onto the roof surface.

The bleed rate required will vary according to water quality, but should initially be set to the minimum rate as set out in the table.

LCB 250	BM500	CPL450	CPS450	1 Plug in
LCB 350	BM750	CPL700	CPS700	1 Plug in
LCB 450	BM900	CPL850	CPS850	2 Plugs in
LCB 550	BM1150	CPL1100	CPS1100	2 Plugs in

Push the remaining plugs into the blind holes provided. In poor quality water areas where the salt and mineral contents are high, adjust the bleed rate by inserting one or more extra plugs than specified in the table.

Note! If the water sensor is fitted, you will need to disconnect it from the Electronics Module and remove it from the Cooler completely. Then fit the shorting plug (supplied in the Bleed kit) to the socket where the water sensor was fitted (Fig 32).



SOLENOID VALVE

(Standard for LCB models, optional for CPL, CPS & BM models)

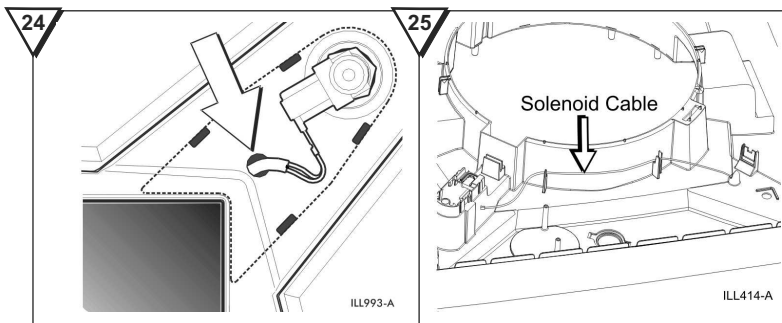
If the drain valve is to be installed instead of the bleed funnel, assemble the float valve to the cooler with the solenoid valve as shown (Fig 23). Ensure all washers and o-rings are in place. No thread tape is required. Do not overtighten.

The solenoid valve has been screwed into the flexible hose, and must not be disconnected. (Note: The water solenoid is required to be installed in the direction of flow as per the arrow indicator on the solenoid, Fig 23).

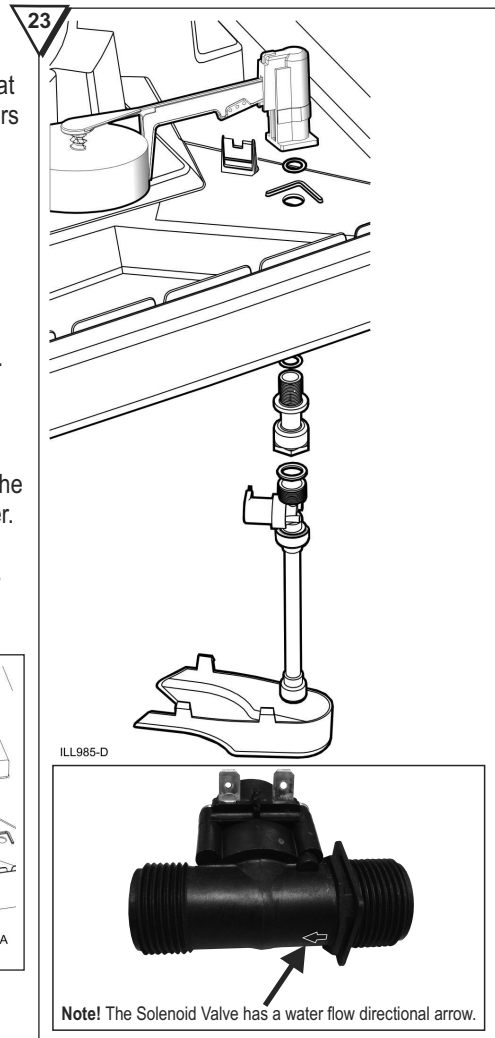
Tighten the solenoid valve until it seals against the rubber washer and is in the orientation shown such that the solenoid cover will clip on over the top (Fig 24).

Connect the supplied cable to the solenoid valve, then push the other end through the hole in the transition as shown. Pull the cable through from inside the cooler and route the cable as shown (Figs 24 & 25). This will be connected later.

Now clip the solenoid cover in place and connect the flexible hose to the mains water supply.



IMPORTANT: For coolers fitted with a drain and solenoid valve, it is a requirement to fit the new detachable hose set supplied. Any old hose sets should not be re-used.



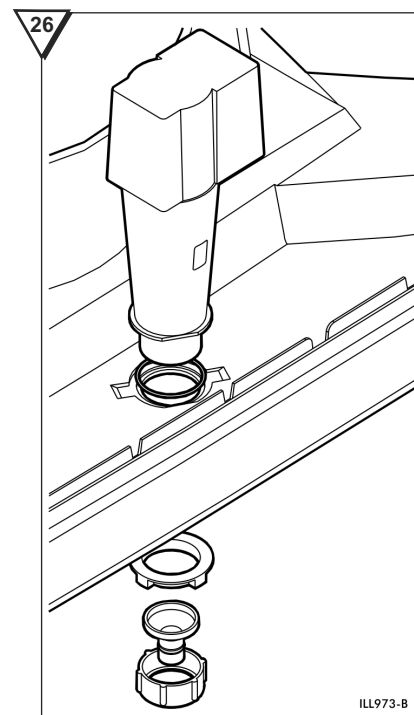
DRAIN VALVE

(Standard for LCB models, optional for CPL, CPS & BM models)

Assemble the drain valve instead of the bleed tray if you have installed the solenoid valve.

Assemble the drain valve as shown (Fig 26).

- Make sure that the o-ring is fitted before placing the drain valve into the hole.
- Screw the nut up tightly by hand underneath the cooler.
- Make sure that you use the correct drain adaptor.
- Make sure the drain water discharge flows freely away from the cooler.
- Drain water must be carried away to a suitable discharge point on the building or property in accordance with local regulations.
- Do not drain directly onto the roof surface.

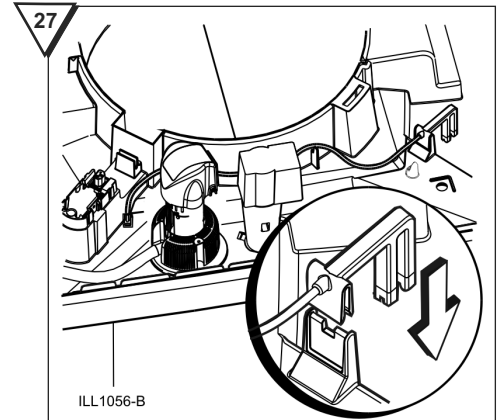


WATER SENSOR

(Standard for LCB models, optional for CPL, CPS & BM models)

If you installed the drain valve, assemble the water sensor as shown by clipping the sensor to the tank (Fig 27). Ensure that the clip fully engages.

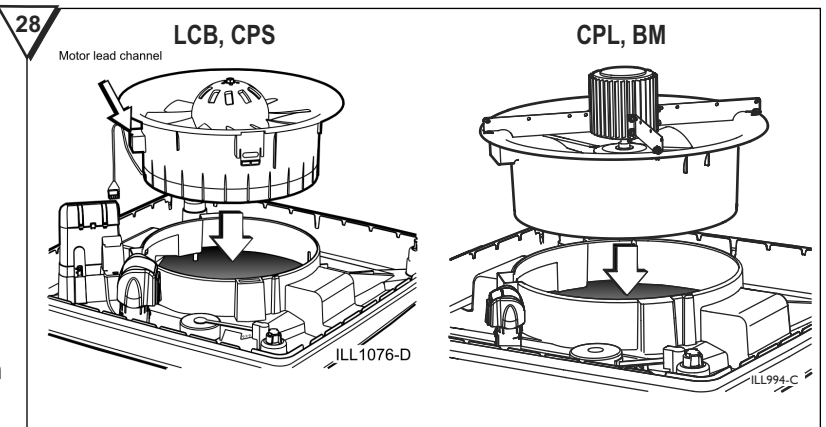
Route the sensor cable through the cable supports in the tank as shown and leave the end clear of any water. The cable will be plugged in later.



INSTALLING THE VENTURI/FAN ASSEMBLY

The venturi/fan/motor assembly can now be carried up onto the roof. (Place the assembly into the cooler and let it rest near its cavity in the tank.) The assembly will only fit into the tank in one orientation (Fig 28).

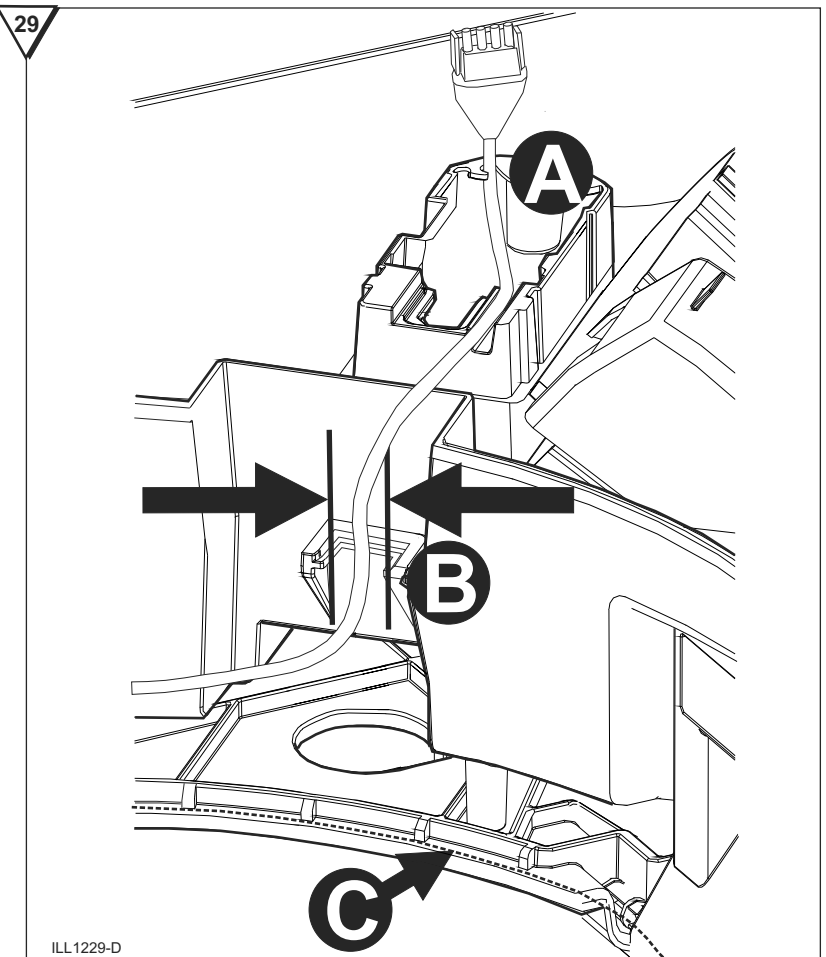
For LCB/CPS models only: Important! Before fitting the venturi into position, make sure the motor lead exits through the venturi notch and located in the motor lead channel (Fig 28). Ensure the bottom of the lead is aligned with the bracket inside the tank (Fig 29-B). Failure to do this may result in the cable being caught between the outside of the bracket and the venturi.



Important! Make sure the venturi is correctly and symmetrically located all the way around its cavity. Check this by making sure the venturi sits inside the locating ridge all the way around. (Fig 29-C). Ensure the plug/lead assembly is not caught under the bottom lip of the venturi, by pulling the lead through fully.

Feed the motor lead through the channel (Fig 29 - A) in the mounting bracket where the Electronics Module sits. Snare the lead into one of the brackets at the top of the opening (Fig 29-A).

For CPL and BM models only: Do not refit the 2 transport screws removed whilst initially dis-assembling the venturi. Dispose of these screws thoughtfully. For detail, refer to page 4 describing the venturi removal steps.



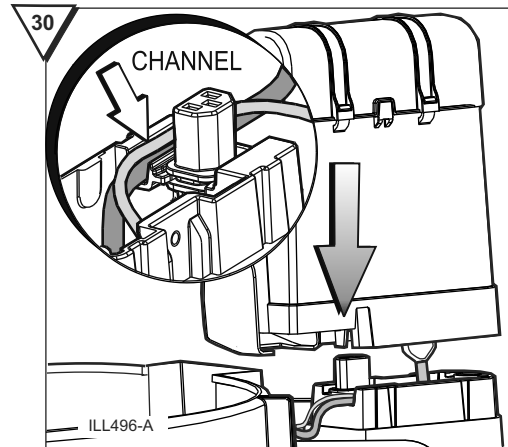
ELECTRICAL CONNECTION

Connect the motor cable to the base of the Electronics Module. It is a polarised plug and will only insert one way. Ensure it is secured fully so that its retention clips are engaged.

Route the end of the wall control cable out of the cavity via the same channel as the motor cable (Fig 30). Ensure you have about 200mm (8") of wall control cable outside the cavity.

With both cables in place (inside the channel, Fig 30), re-assemble the electronics module and screw it to the tank as shown (Fig 31).

IMPORTANT: The isolation switch cannot be activated unless this screw is fixed in place, as shown in Fig 31.



Plug the wall control cable to the electronics module according to Fig 32.

If you have installed the drain valve, remove the shorting plug (pre-installed for CPL, CPS and BM models), which will be connected to the water sensor socket on the control box (Fig. 32)

Then connect the water sensor and solenoid valve plugs as shown. Ensure the plugs are connected in the correct orientation (see bottom of Fig 32). Route the drain valve cable as shown before connecting it to the electronics module (Fig 33).

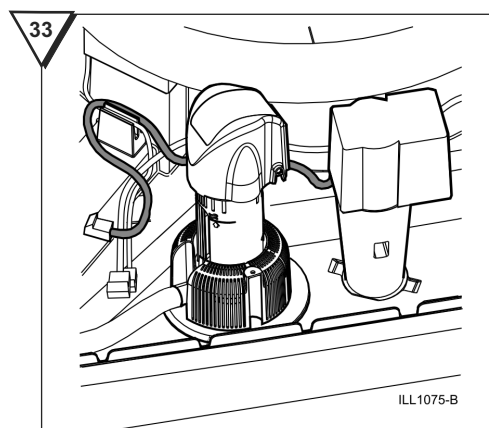
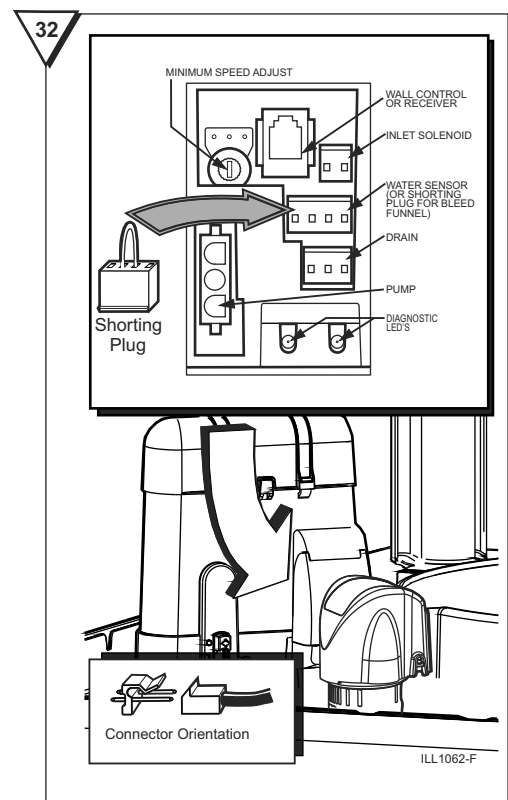
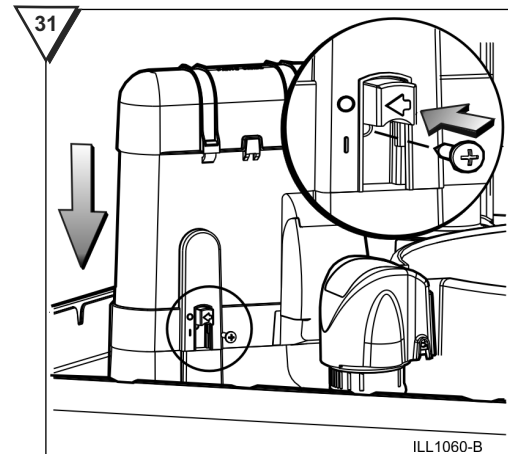
If you have installed the bleed tray, ensure the shorting plug is fitted to the water sensor socket on the control box (Fig 32).

The shorting plug is pre-installed for models CPL, CPS and BM, and is included in the optional Bleed Funnel kit for LCB models.

IMPORTANT!: If a drain valve is connected, do not connect the pump plug yet. Otherwise fit the pump plug to the electronics module, as shown in Fig 32.

IMPORTANT!: Ensure the cables cannot rest in the water once the tank is filled, and are connected in the correct orientation as shown at the bottom of Fig 32.

Finally, turn on the isolation switch, replace the pad frames (except the front pad frame to allow access) and turn on the power at the GPO and the distribution board.




DRAIN RATE ADJUSTMENT


For LCB models, the drain frequency is managed by salinity control. There is no need for adjustment.



For CPL, CPS and BM models (optional Drain Valve operation)

NOTE: The following process must be carried out within four (4) minutes of mains power being applied to the Cooler. If unsure of the time since the mains power was applied, remove mains power to the cooler for a minimum of six (6) seconds and then re-apply power so the mode can be entered.

If you installed the drain valve instead of the bleed funnel then the water will drain every two (2) hours during cooling operation. This default time can be adjusted according to water quality. The water change regularity can be increased in areas where water salinity is high or quality is relatively low. Maintaining the water quality helps the cooler operate more effectively.

While the thermostat is OFF, hold down AUTO for at least 3 seconds and then press  while still pressing AUTO.

The setting "A1" will be displayed, release both buttons. Now press  until "A8" is displayed and then press AUTO.

A number will now be displayed. Press  or  until the number displayed corresponds to the desired drain delay time according to the table below.

Display Number	Time between drains
05	1.3 hours
07	STANDARD 2 hours
11	4 hours
15	10 hours

Press AUTO to complete the adjustment.



Exit the programming mode by pressing ON/OFF. Abort an alteration by pressing ON/OFF instead of AUTO.

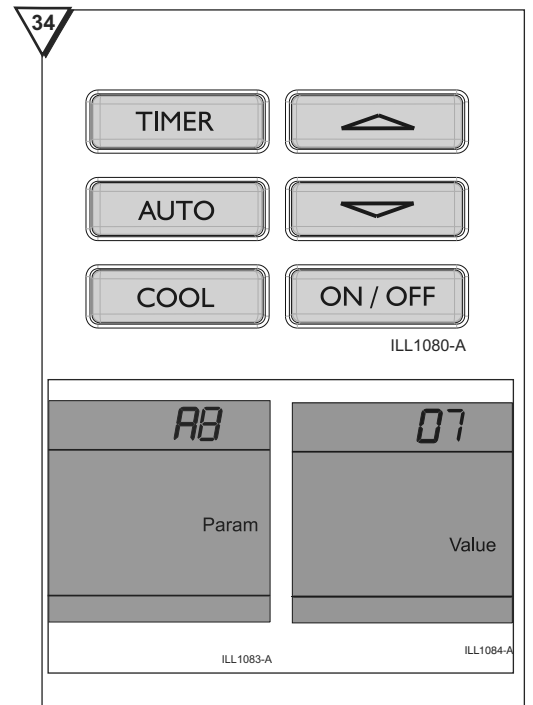
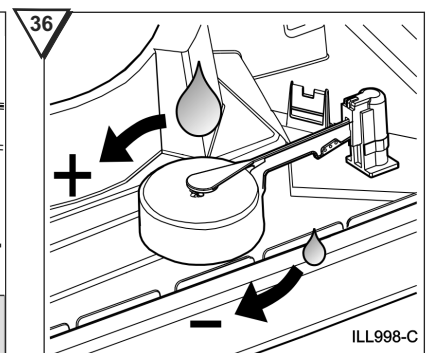
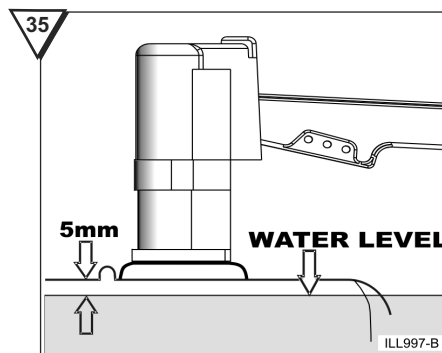
SETTING THE CORRECT WATER LEVEL

If there is no drain valve fitted, just turn on the water supply to fill the tank. If the drain valve is fitted, you need to leave the pump disconnected whilst setting the water level. If you have installed the drain valve instead of the bleed funnel you will need to turn the water on by pressing COOL on the thermostat while it is in the OFF state. The water inlet valve will now remain open for 15 minutes.

When the tank is full the float valve will stop the water entering the cooler. Wait for this to happen and observe the level. The correct water level is approximately 5mm below the surface of the tank the float valve is mounted on (Fig 35).

If the level is too high rotate the float clockwise. If it is too low rotate the float anti-clockwise, as shown (Fig 36).

If you installed the drain valve, a complete drain can be initiated by holding down both  and  for 1 second when the thermostat is OFF. The signal "dr" will display to confirm the drain operation has activated.

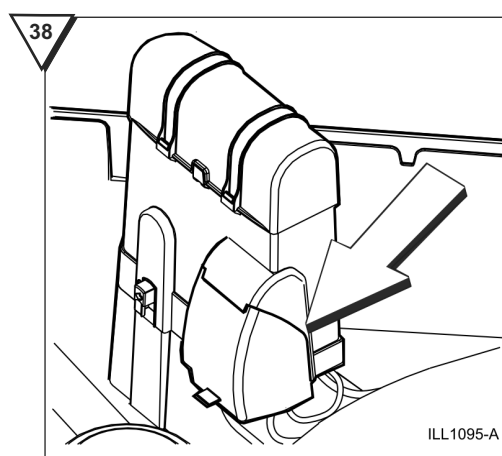
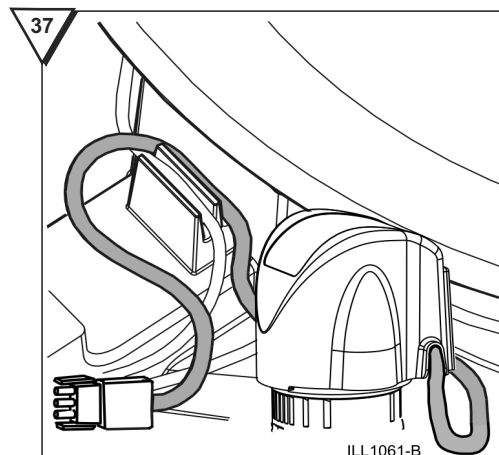


WATER PUMP CONNECTION (Drain valve option only)

Switch off the electronics module. Route the pump cord as shown (Fig 37) and connect the pump to the electronics module. Switch the electronics module on.


IMPORTANT! Ensure the splash protection flap shown (Fig 38) is in place.

WARNING! Do not run the pump while the pad frames are off and the fan is on.



TEST OPERATION

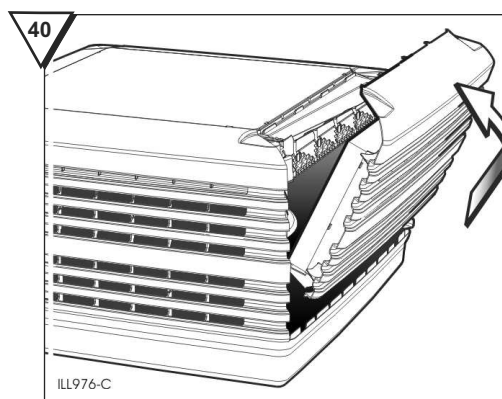
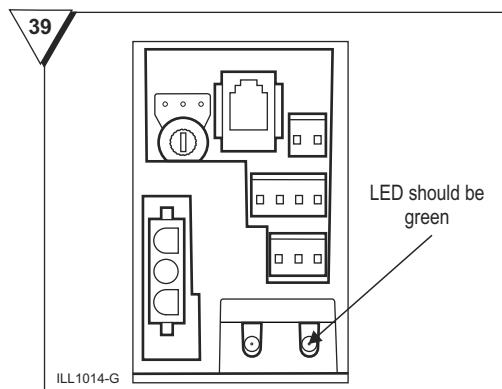
Check that the green light on the electronics module is on and double flashing every 2 seconds (Fig 39). This indicates that power is connected to the electronics module. Make sure that the flexible cover on the electronics module is fully closed as shown (Fig 38).

Note! If on initial start up the word "Service" appears on the controller and by pushing the ON/OFF button nothing changes on the display, then you will need to establish communication between the wall control and the electronic controller. Simply push and hold the  button for approx. 10 seconds or until the word "Service" disappears. If by pushing the ON/OFF button a number appears refer to Page 19 for fault codes.

Replace the remaining pad frames (Fig 40) and run the cooler. To start the cooler, press ON/OFF on the thermostat. If the cooler has not been on before it will start in Manual control mode ("Man" will display as shown). The display will flash "Pre-Cool Cycle" and the pump will operate to saturate the pads. The pump will start immediately for units with the bleed tray, for units with a drain valve there will be a delay before the pump commences operation (30 seconds after the water reaches the water sensor).

The "Pre-Cool" will be in operation for 2 minutes after the pump starts, then the fan will start automatically.

Stop the cooler and check that each of the pads are evenly saturated.

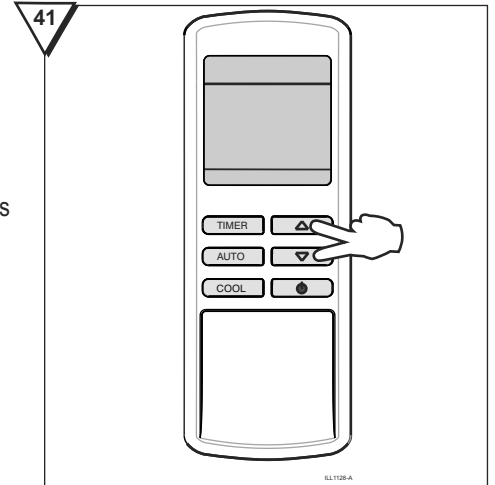


TESTING THE COOLER

Once you are satisfied that the Cooler is installed and commissioned correctly, it is important to run the cooler and ensure that everything is working as it should.

Check that the unit runs quietly and with an even distribution of air to all outlets.

If a drain valve is fitted, initiate a drain of the tank by pressing both the up and down buttons together, with the wall control in the "OFF" state (Fig 41). Check the drain fittings and pipes, making sure there are no leaks. Ensure the drain water discharges freely away from the cooler.



CLEAN UP THE SITE

Clean up and tidy the premises, removing all rubbish. Your aim should be to have the customer not even aware that you have been, apart from having their new cooler installed to enjoy!



SHOW THE CUSTOMER THEIR NEW COOLER

This is a good time to explain the features and principles of Evaporative Ducted Cooling to the new owner. Explain the wall control operation, how to exhaust the premises, and how to best run their cooler.

Please take a few moments to explain to the customer the following:

- How far the windows need to be opened.
- How to turn the unit on.
- Explain the "PRE COOL" mode.
- How to operate the cooler "manually".
- How to operate the cooler in "vent" mode only.
- How to operate the cooler in "auto" mode.
- How to drain the cooler (if drain valve fitted).
- How to turn the power and water off.
- Maintenance requirements.



Present the customer with their warranty card for their attention.

Present the customer with their owners manual, and encourage them to keep it for future reference.

PROBLEM: Inadequate cooling
CAUSE

1. Pump not working correctly
2. Dry pads.
3. Leaking ducts
4. Weatherdamper failing to open.

REMEDY

- Check plug, wiring and circuit breaker. Check water level and sensor. Impellor may be jammed or obstructed. Rectify fault or replace pump.
- Check water flow to pads. Inspect fitment of distributor cap. Check for blocked or kinked hose. If blocked, dismantle, clean and flush or unkink the hose. Check the inlet solenoid filter for blockage.
- Find leaks and seal.
- Break off transport clips. Check for weatherseal/transition screw interference. Check minimum fan speed setting.

PROBLEM: Motor starts and stops at intervals
CAUSE

1. Loose electrical connections.
2. Fan not turning freely.
3. Weatherdamper failing to open.

REMEDY

- Check all electrical connections.
- Determine cause and rectify.
- Break off transport clips. Check for weatherseal/transition screw interference. Check minimum fan speed setting.

PROBLEM: Continually leaking water when turned off
CAUSE

1. Dirt under drain valve seal.
2. Dirt under float valve seal.
3. Damaged float valve seal.
4. Water level set too high.
5. Water pressure too high.

REMEDY

- Clean and refit seal, clean any remaining debris from tank.
- Clean and refit seal.
- Replace Float Valve seal.
- Set water level as described.
- Install pressure reducing valve.

PROBLEM: Unpleasant odour
CAUSE

1. Odour from new pads

REMEDY

- Allow time to condition by running the cooler. Drain the water, then allow the tank to re-fill.

PROBLEM: No variable speed
CAUSE

1. Faulty electronics module or wall control.
2. Minimum fan speed set too high.

REMEDY

- Replace electronics module or wall control.
- Adjust minimum fan speed (Fig 32 page 14).

**PROBLEM: Noisy unit
CAUSE**

1. Resistance in the ducting system.
2. Insufficient exhaust openings
3. Fan is hitting the venturi.

REMEDY

- Check that sufficient outlets are provided and are open.
- Refer to minimum exhaust opening requirements for the particular cooler, as shown in the table in the Owners Manual.
- Check that the venturi is installed correctly and that the transport screws have been removed. Check for loose fan blades.

**PROBLEM: No water drain function (drain valve coolers only)
CAUSE**

1. Drain valve failure.
2. Drain valve incorrectly connected to electronics module.
3. Water sensor not operating.
4. No water from drain hose.


REMEDY

- Replace drain valve.
- Check plug connection and orientation (Fig 32 on page 14).
- Check sensor. Clean sensor.
- Check for blockages in the drain hose.

**PROBLEM: Unit will not run / Wall control display fault
CAUSE**

1. No power to cooler.
2. No power to the wall control
3. No signal to electronics module
(Wall control display appears correct, electronic module green light has changed to red and is flashing).
4. Wall control and electronics module not communicating
(Wall control displays "SERVICE" and does not clear by pushing "ON/OFF").
5. Electronics module variant incorrect for mains supply frequency.
(Wall control displays "SERVICE 07", electronic module green light has changed to red and flashes 7 times).
6. Water sensor not working (if water sensor installed).
(Wall control displays "SERVICE 02", after 8 mins electronic module green light has changed to red and flashes 7 times).
7. Insufficient water pressure to raise the water level to the sensor within 8 mins (if water sensor installed).
(Wall control displays "SERVICE 02", after 8 mins electronic module green light has changed to red and flashes 7 times).
8. Drain valve remains open so water does not reach the sensor within 8 mins (if drain valve installed).
(Wall control displays "SERVICE 02", after 8 mins electronic module green light has changed to red and flashes 7 times).

REMEDY

- Check GPO switch and fuse or circuit breaker. Check isolation switch, power cord plug and circuit breaker on the electronics module.
- Check for wall control cable unplugged, faulty or damaged cable, or faulty (no display or backlighting) wall control. Replace parts as necessary.
- Check for damaged or faulty wall control cable.
- Reset the wall control - press and hold  for 10 seconds until "SERVICE" disappears from the display.
- Note the electronic modules' rating label for supply frequency. Change the supplied electronic module to the correct variant. Reset the wall control by pushing "ON/OFF".
- Check that the sensor is correctly connected, and the cable is plugged in. Clean sensor probes and remove all debris as necessary.
- Check that the water pressure is sufficient to fill the tank to the sensor within 8 minutes.
- Check that the drain valve is closed when the unit fills. Clean debris from the drain valve. Check the drain valve cable is connected and the plug is oriented correctly - see Fig 32 page 14.

Owners Name:

Telephone:

The cooler is secure and level on the dropper using all fixings supplied.

Address:

The dropper and all penetrations are correctly flashed and sealed.

The Weatherdamper operates correctly and can open and close without interference.

Dealer:

The water pipes were flushed of any foreign materials before connection to the cooler was made.

Installer:

The water is connected with no leaks at fittings.

Date Installed:

Water pipes are correctly saddled as per the plumbing regulations.

Model No.:

The drain valve is installed correctly, as detailed in this manual.

Serial No.:

The owner has been instructed on how to isolate the water to the system in case of emergency.

The drain water does not discharge onto the roof surface.

Water level has been set correctly, as detailed in this installation manual.

The power supply adheres to all local and national regulations and is wired back to the distribution board on it's own separate circuit.

The following cables have been correctly connected to the Control box as required i.e. Power supply, Motor cable, Control loom, Drain valve, Solenoid cable, Pump cable, Probe cable.

The owner has been instructed how they can electrically isolate the unit at the meter box in case of an emergency.

All ducts are hung correctly and there are no air leaks.

The system has been run from the customers wall control and all functions work correctly. All wall holes behind the controller have been sealed.

The air balance for all outlets have been adjusted to the customers satisfaction.

The customer has been shown how to operate the system and is aware of the need for the timed Drain or Bleed systems.

The customer has been given the Owners Manual & Warranty Card.

All the installation rubbish has been removed and, if applicable, any property damage repaired.

Signed by Installer:

Dated:



Seeley International Technical Support
1300 650 399

Seeley Spare Parts Distributors
1300 367 437

Authorised Service Agents
1300 650 644

For access to Technical/Installation/Service Information register online
seeleyinternational.com/service

Spare Parts Information
To identify and order spare parts for Seeley International products online
go to:
seeleyinternational.com/get-support/spare-parts

It is the policy of Seeley International to introduce continuous product improvement.
Accordingly, specifications are subject to change without notice.
Please consult with your dealer to confirm the specifications of the model selected.

Braemar[®]
coolair[®]